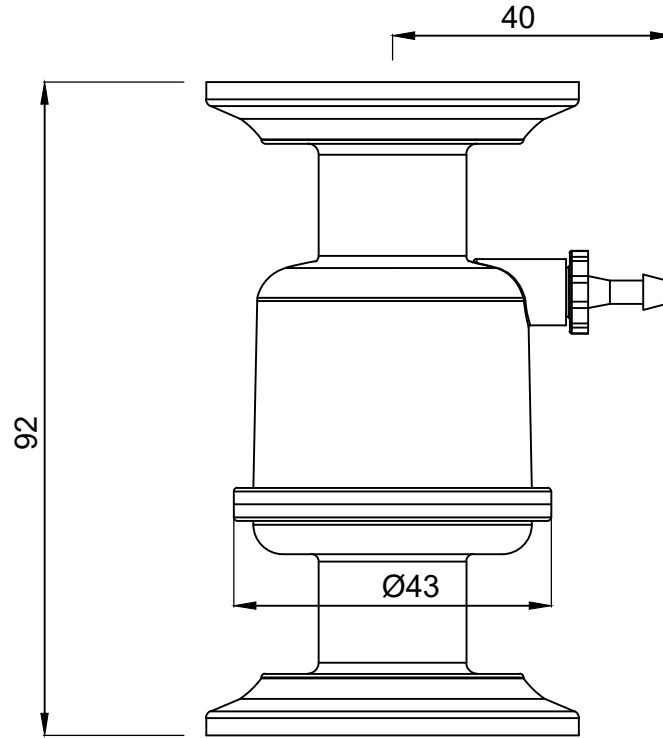


DO NOT SCALE THE DRAWING  
ALL DIMENSIONS ARE IN mm



PART	QUANTITY	REF. NO.	DESCRIPTION	MATERIAL	FINISHED SIZE	HARDNESS	REMARK

REV. NO.	ECN. NO.	DATE	DESCRIPTION	REV. NO.	ECN. NO.	DATE	DESCRIPTION

mdi Advanced Microdevices Pvt. Ltd. 20, 21, Industrial Area , Ambala Cantt., 133006		SCALE PROJ. 	DATE SIGN.	TOLERANCE UNLESS SPECIFIED						
<b>1" Capsule Filter With 50 mm TC I/O</b>	REV. NO. FORMAT NO. 5			DRAWN		1Dec.PI	2Dec.PI	3Dec.PI	4Dec.PI	
				DESIGNED		C	A±0.100	A±0.050	A±0.025	A±0.010
				CHECKED		T	A±0.050	A±0.025	A±0.010	A±0.000
				APPROVED		S				
				ANGLE	A±2°	A±2°	A±2°	A±2°		

TOOL No.	COMP. No.	STORE No.	SHEET 1 OF 1
----------	-----------	-----------	--------------